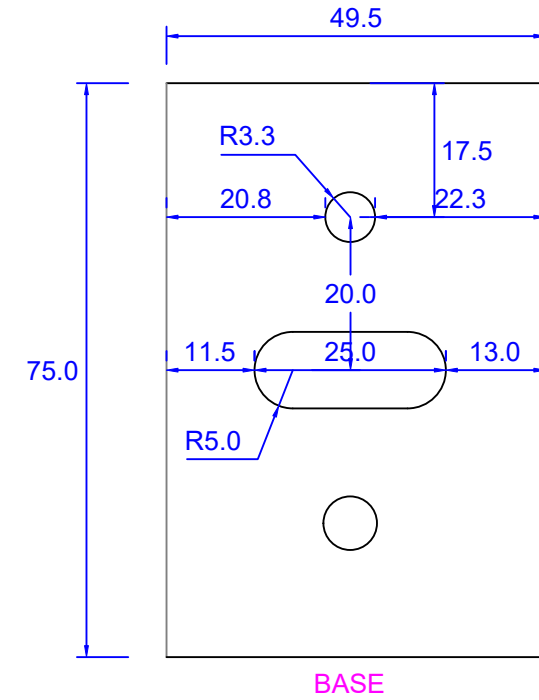
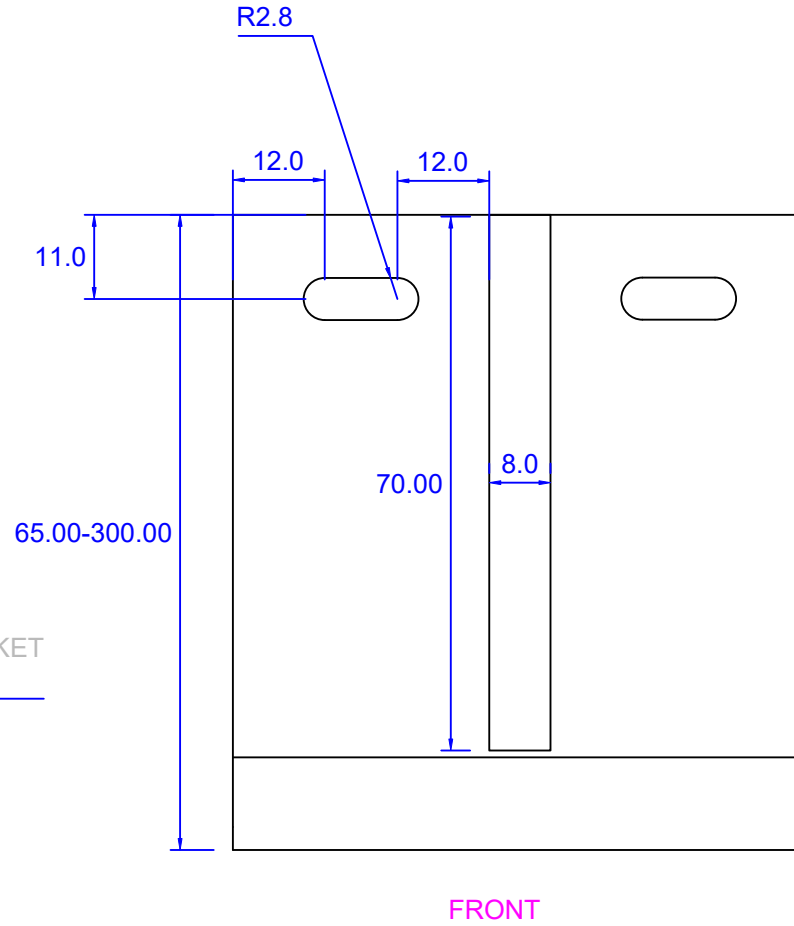
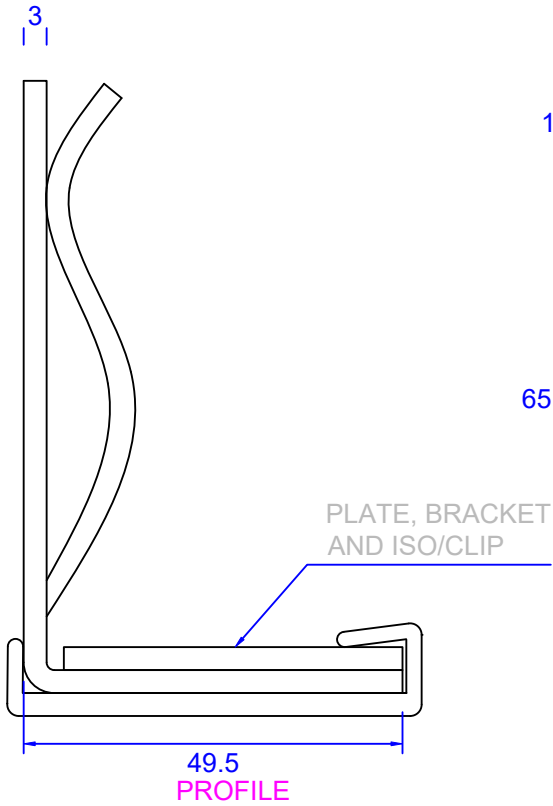
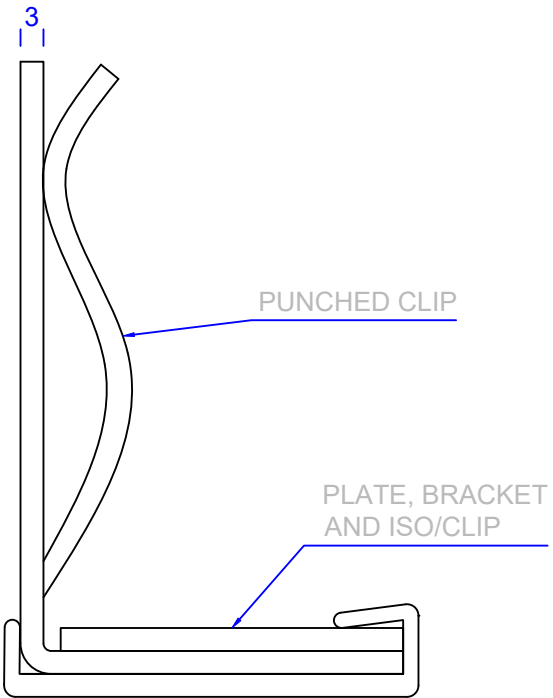
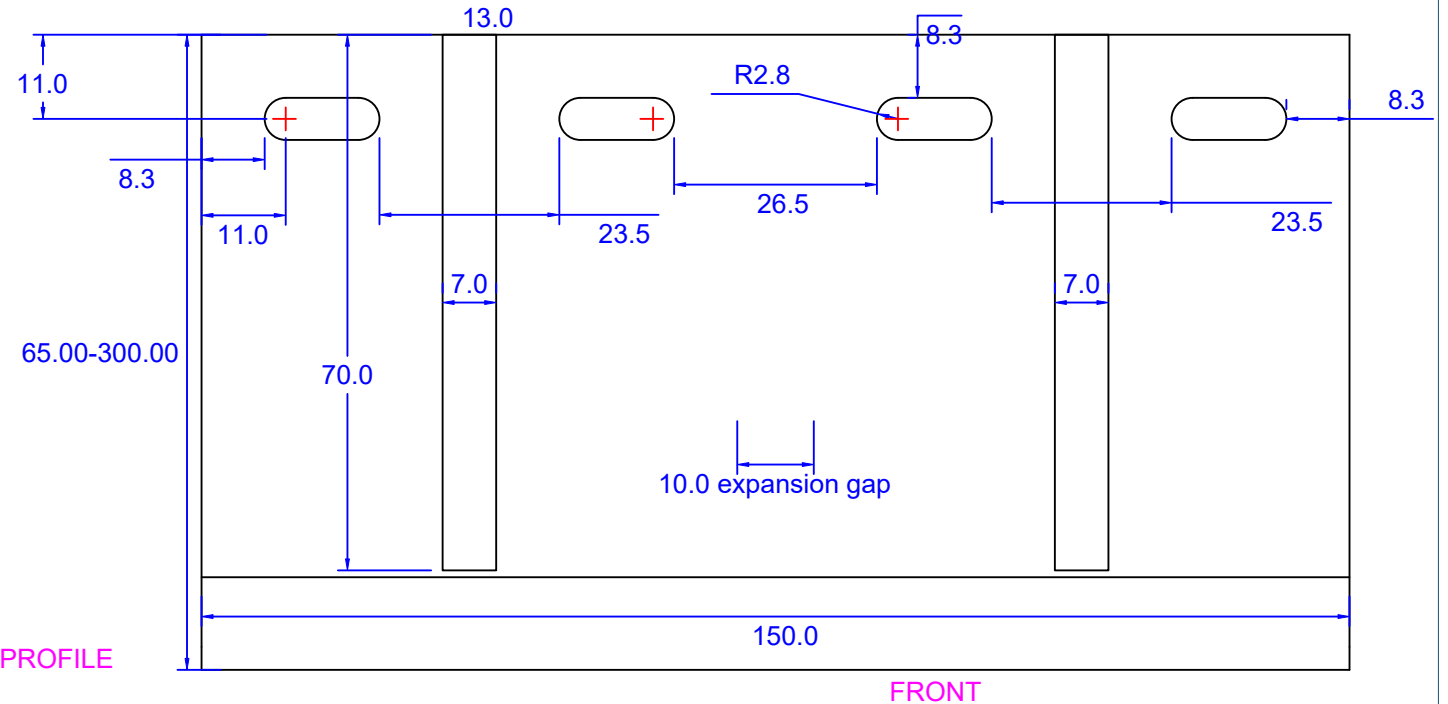
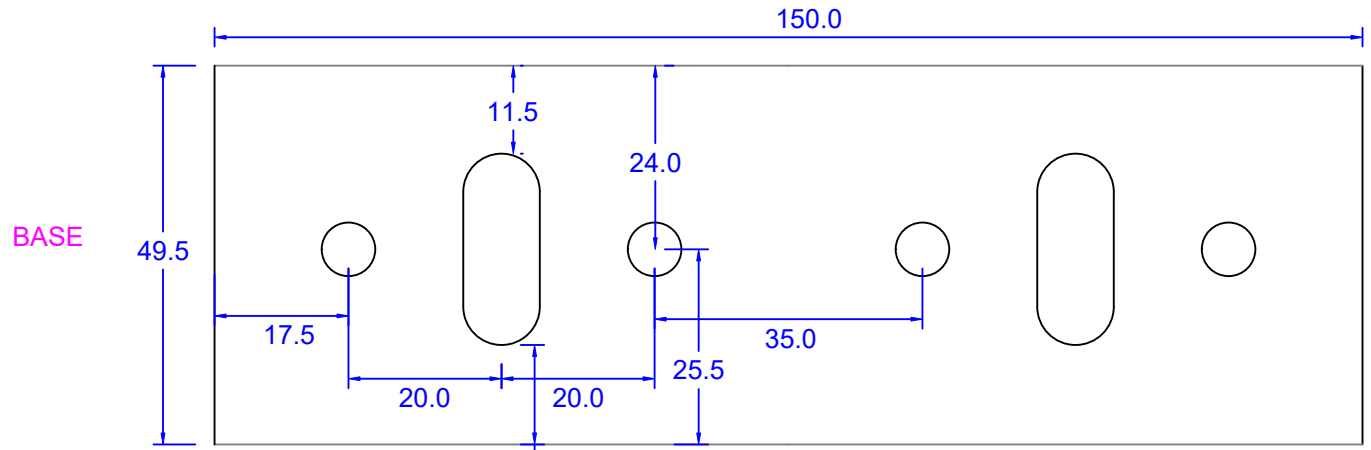


Physical properties	
Physical Property	Value
Density	8.00 g/cm ³
Melting Point	1450 °C
Thermal Expansion	17.2 x10 ⁻⁶ /K
Modulus of Elasticity	193 GPa
Thermal Conductivity	16.2 W/m.K
Electrical Resistivity	0.072 x10 ⁻⁶ Ω .m
Proof Stress	230 Min MPa
Tensile Strength	540 to 750 MPa
Elongation A50 mm	45 Min %



Physical properties	
Physical Property	Value
Density	8.00 g/cm ³
Melting Point	1450 °C
Thermal Expansion	17.2 x10 ⁻⁶ /K
Modulus of Elasticity	193 GPa
Thermal Conductivity	16.2 W/m.K
Electrical Resistivity	0.072 x10 ⁻⁶ Ω .m
Proof Stress	230 Min MPa
Tensile Strength	540 to 750 MPa
Elongation A50 mm	45 Min %



Physical properties	
Physical Property	Value
Density	8.00 g/cm ³
Melting Point	1450 °C
Thermal Expansion	17.2 x10 ⁻⁶ /K
Modulus of Elasticity	193 GPa
Thermal Conductivity	16.2 W/m.K
Electrical Resistivity	0.072 x10 ⁻⁶ Ω .m
Proof Stress	230 Min MPa
Tensile Strength	540 to 750 MPa
Elongation A50 mm	45 Min %

